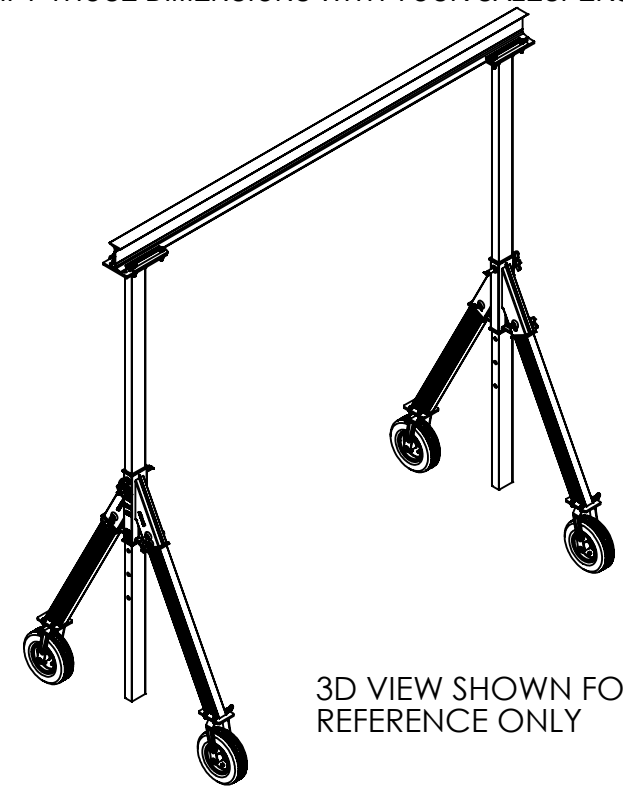
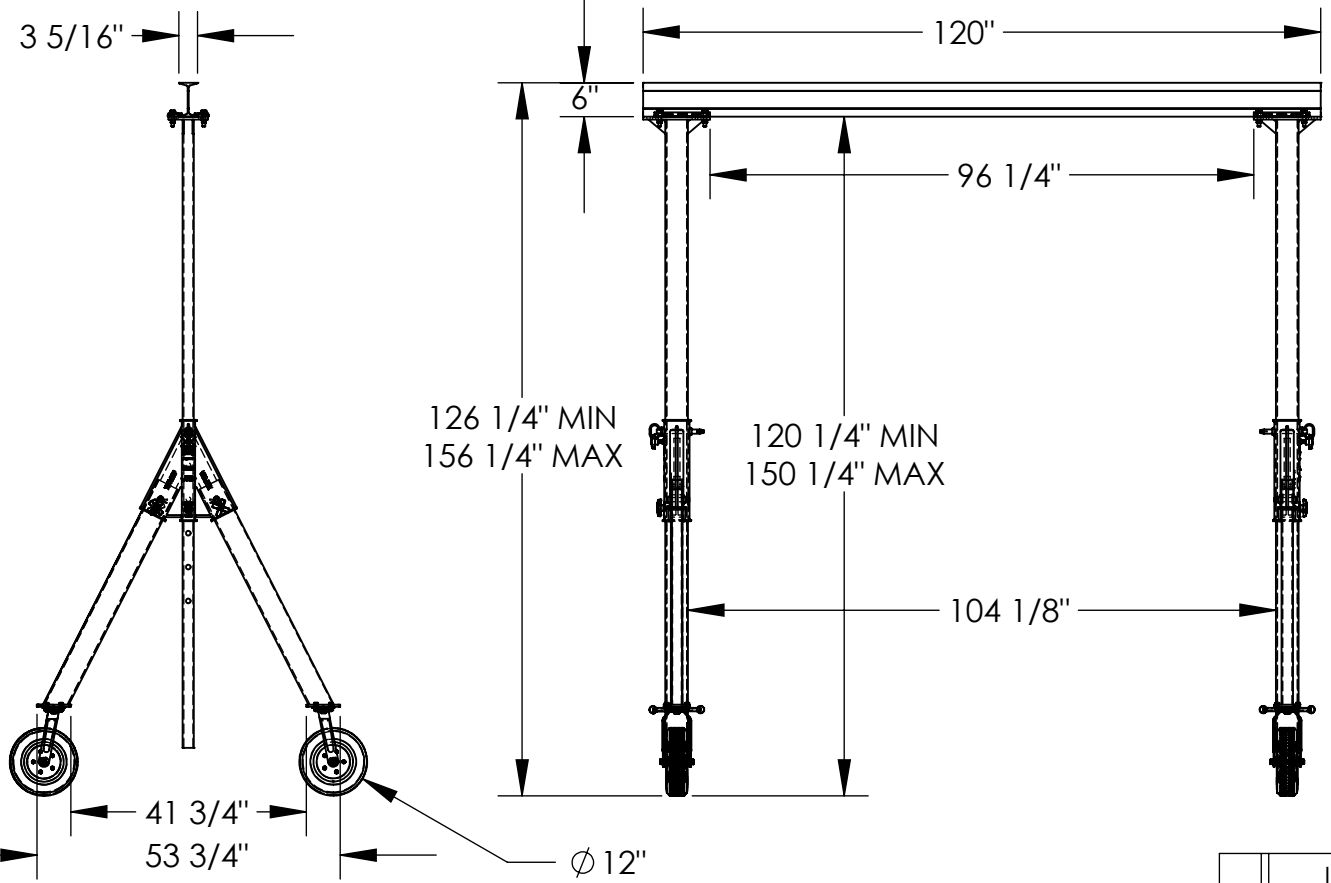


ADJUSTABLE ALUMINUM GANTRY CRANE -AHA-15-10-12-PNU

APPROX WEIGHT: 295 lbs.
DOES NOT INCLUDE WEIGHT OF POWER OR PACKAGING!!!

*** ANY ADDITIONS, DELETIONS, OR OMISSIONS MUST BE CORRECTED ON THIS DRAWING AS THIS DRAWING WILL BE CONSIDERED ALL INCLUSIVE ***
ALL GRAPHICS PROVIDED ARE FOR REFERENCE ONLY. IF CERTAIN DIMENSIONS ARE CRITICAL PLEASE VERIFY THOSE DIMENSIONS WITH YOUR SALESPERSON



3D VIEW SHOWN FOR REFERENCE ONLY

DIMENSION TOLERANCE ± 1/4"

STANDARD FEATURES

MODEL NUMBER IS AHA-15-10-12-PNU
CAPACITY IS 1,500 LBS.
BASE WIDTH IS 53 3/4"
MAX OVERALL HEIGHT IS 156 1/4"
I-BEAM HEIGHT IS 6"
I-BEAM FLANGE WIDTH IS 3 5/16"
OVERALL I-BEAM LENGTH IS 120"
USABLE I-BEAM LENGTH IS 96 1/4"
ADJUSTABLE UNDER I-BEAM HEIGHT
120 1/4" MIN
150 1/4" MAX
HEIGHT IS ADJUSTABLE IN 6" INCREMENTS
CASTERS: (4) Ø12" X 3 1/2" WIDE
PNEUMATIC SWIVEL CASTERS WITH
FOUR LOCKING POSITIONS
CRANE MAY BE TAKEN APART AND BUNDLED WITH
(2) INCLUDED STRAPS FOR EASY TRANSPORT
ALUMINUM CONSTRUCTION

SPECIAL FEATURES

NONE

APPROVAL	I, THE UNDERSIGNED, AGREE THAT THE PRODUCT AS REPRESENTED SATISFIES DESIGN AND DIMENSION REQUIREMENTS. I ALSO ACKNOWLEDGE MY DUTY TO CONFIRM PRODUCT AND INSTALLATION COMPLIANCE WITH ALL APPLICABLE FEDERAL, STATE AND LOCAL REGULATIONS AND STANDARDS.	
	UNITS REQUIRING APPROVAL DRAWINGS OR MODIFIED ARE NON-RETURNABLE	
	[] As drawn [] As marked	
Signed: _____		Date: _____
Printed Name: _____		
LEAD TIME WILL START UPON RECEIPT OF SIGNED APPROVAL DRAWING		

DISTRIBUTOR'S NAME:		P.O.#
VESTIL MANUFACTURING		X
		W.O.#
DRAWN BY: X	DATE: XX/XX/XX	X
REFERENCE: X	SCALE: 1:34	FILE NAME:
QUOTED LEAD TIME: X	QUOTE # X	28-007-290